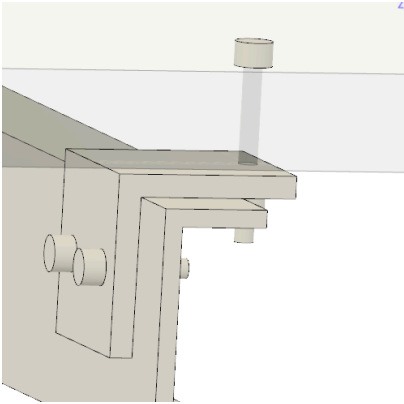
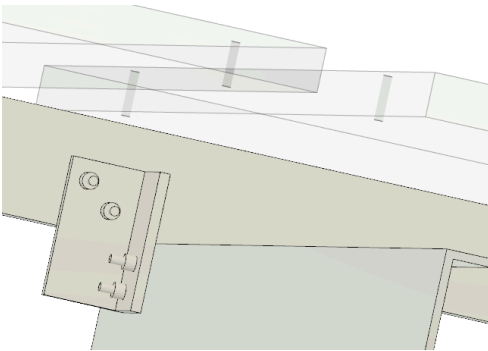


Typical Panel Connection (16 each)



Typical Beam Connection (4 each)



Typical Foot Bracket (4 each)

